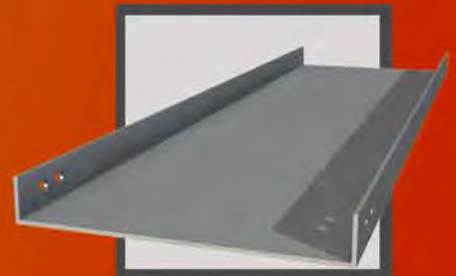


Protecting Your Cable Support System Investment
With High Quality Products and Best Service Solutions



PT TRICON Metalindo Perkasa

Cable Ladder | Cable Tray Perforated | Cable Cage | Cable Duct

Office :
Mangga Dua Square Lt. 2 Blok C No. 179
Jl. Gunung Sahari Raya No. 1 Jakarta Utara 14420
Phone: (021) 2262 0528 Fax: (021) 2262 0529
Email: sales@tricon-metalindo.com

Workshop :
Kawasan Pergudangan dan Perdagangan
SN 5.2 No. 5
Harapan Indah Bekasi

www.trayladder.com www.tricon-metalindo.com

Our Products consist of:

A Cable Ladder

Cable Ladder's strong design is perfect for large cables, specifically for the basement area, for plant or factory environment, or for Oil and Gas Industry. The durable state of this material is designed to hold more weight than other types of tray.

B Cable Tray Perforated

Cable Tray Perforated is designed to protect the cable to the maximum. Because most of the materials are enclosed, no pest can crawl into your cable support system, making your cable life longer.

C. Cable Cage

Cable Cage is a low budget solution for your cable support system. Since Cable Cage is open by nature, no dusts will settle on the cables. This way, cable's overheating can be avoided and preserve the longevity for a longer period. Another advantage is that most of the Cable Cage's accessories (Elbow, Tee, Cross, etc) can be made at the site, so it does not need to be prefabricated by the tray manufacturer.

D Cable Duct

Cable Duct's design is similar to Cable Tray Perforated. However, Cable Duct has no holes on its body except for the jointing area. The main purpose of this cable duct is for underfloor design which can be raised above the concrete or lays in the concrete. With the no-hole design, concrete material will not bleed into the tray.

Standard Accessories:

A Horizontal Elbow

G Jointing

M Horizontal Splice Plate

B Horizontal Tee

H Cover Clamp

N Vertical Splice Plate

C Horizontal Cross

I Hold Down Clamp

O Splice Plate for Stand

D Outside Riser

J Hold Down Clip

P Separators

E Inside Riser

K End Plate

Q Supports

F Reducer

L Cover

For More Information, please do not hesitate to contact of our staff.



Raw Materials:

A Steel

Hot Rolled Mill Steel / SPHC. Finished products need to be coated with special material. The most common are Hot Dip Galvanizing or Electroplating, both are using Zinc based material.

B Aluminum

Most common material is AA1100, more durable than standard SPHC, maintenance free, perfect for outdoor application. Finished product can be shipped with natural color or powder coated for a more attractive choice.

C Stainless Steel

Common materials include SS304, SS316, and SS316L. Because of the rust resistance factor of Stainless Steel, this material is the most expensive among other materials. Stainless Steel will not shed any of its material, perfect for food plant or restaurant business. Material is harder than SPHC and Aluminum.

D Drawn Wire

Specifically used for Cable Cage. Diameter ranges from 5mm to 6mm depending on the width of the cable cage. Finishing of Hot Dip Galvanizing or Electroplating is needed.

Finishing Process:

A Hot Dip Galvanizing (HDG)

This process of dipping the materials into hot melted zinc is used to protect the steel from corrosion. If the steel plate thickness is 1.8mm, the overall thickness may increase to average 2.0mm after the HDG. This process will coat the material up to 40-75 microns, perfect for outdoor or near ocean use.

B Electroplating (EP)

Electroplating is a process using the chemical reaction combined with electricity to coat the surface of the material. The zinc will dissolve into the plating liquid and will adhere to the material when the electricity is flowing from anode (zinc plate) to cathode (the material being plated). This process will result in a more uniform and smoother surface coating than HDG. However, because of the nature of EP, the Zinc will only coat around 4—8 microns, only recommended for indoor, dry environment.

C. Powder Coating

This process will spray the paint particles into the material and will be placed at the oven to finish the coated process. Though more expensive, the range of color choice can be an attractive option for some customers.

Product Code:

Company Code - Product Code - Accessories Code - Width - Height

Our Products consist of:

- Cable Ladder (SLW/SLU/SLHD)
- Cable Tray Perforated (STC/STU)
- Cable Cage (CC)
- Cable Duct (CD)

- W = Width
- H = Height
- R = Radius
- L = Length

Example:

SLW PART NO	SLU PART NO	W	H	R
TC-SLW-TD-100-100	TC-SLU-TD-100-100	100	100	150, 300, 450
TC-SLW-TD-200-100	TC-SLU-TD-200-100	200	100	
TC-SLW-TD-300-100	TC-SLU-TD-300-100	300	100	
TC-SLW-TD-400-100	TC-SLU-TD-400-100	400	100	
TC-SLW-TD-500-100	TC-SLU-TD-500-100	500	100	
TC-SLW-TD-600-100	TC-SLU-TD-600-100	600	100	
TC-SLW-TD-800-100	TC-SLU-TD-800-100	800	100	
TC-SLW-TD-1000-100	TC-SLU-TD-1000-100	1000	100	

TC-SLW-TD-100-100 :
Cable Ladder Type W
Accessories Tee Diagonal (TD)
(Width 100, Height 100)

Available in Radius 150, 300, & 450

**Other dimension is available upon request

SLU PART NO	W	H	L
TC-SLU-100-100	100	100	3000
TC-SLU-200-100	200		3000
TC-SLU-300-100	300		3000
TC-SLU-400-100	400		3000
TC-SLU-500-100	500		3000
TC-SLU-600-100	600		3000
TC-SLU-800-100	800		3000
TC-SLU-1000-100	1000		3000

TC-SLU-100-100 : Cable Ladder Type U
(Width 100, Height 100)

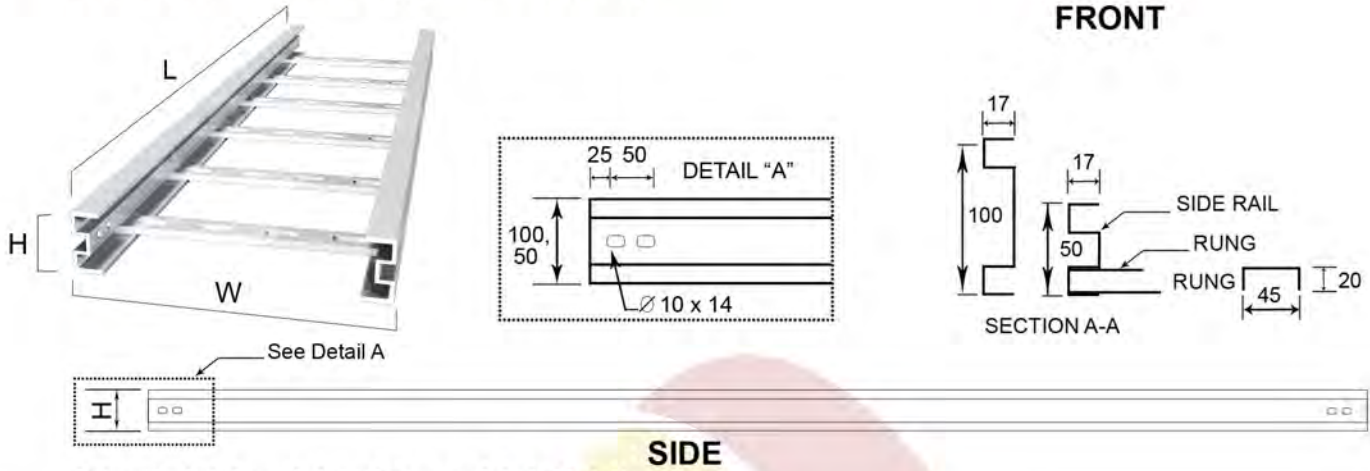
TC-SLU-100-127 : Cable Ladder Type U
(Width 100, Height 127)

Available in Height 100

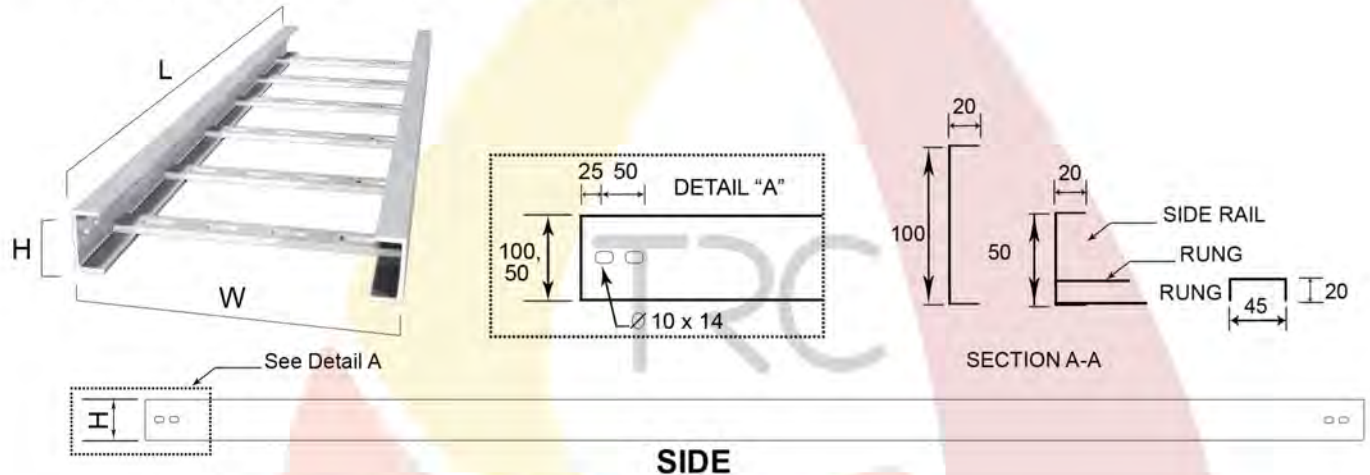
**Other dimension is available upon request



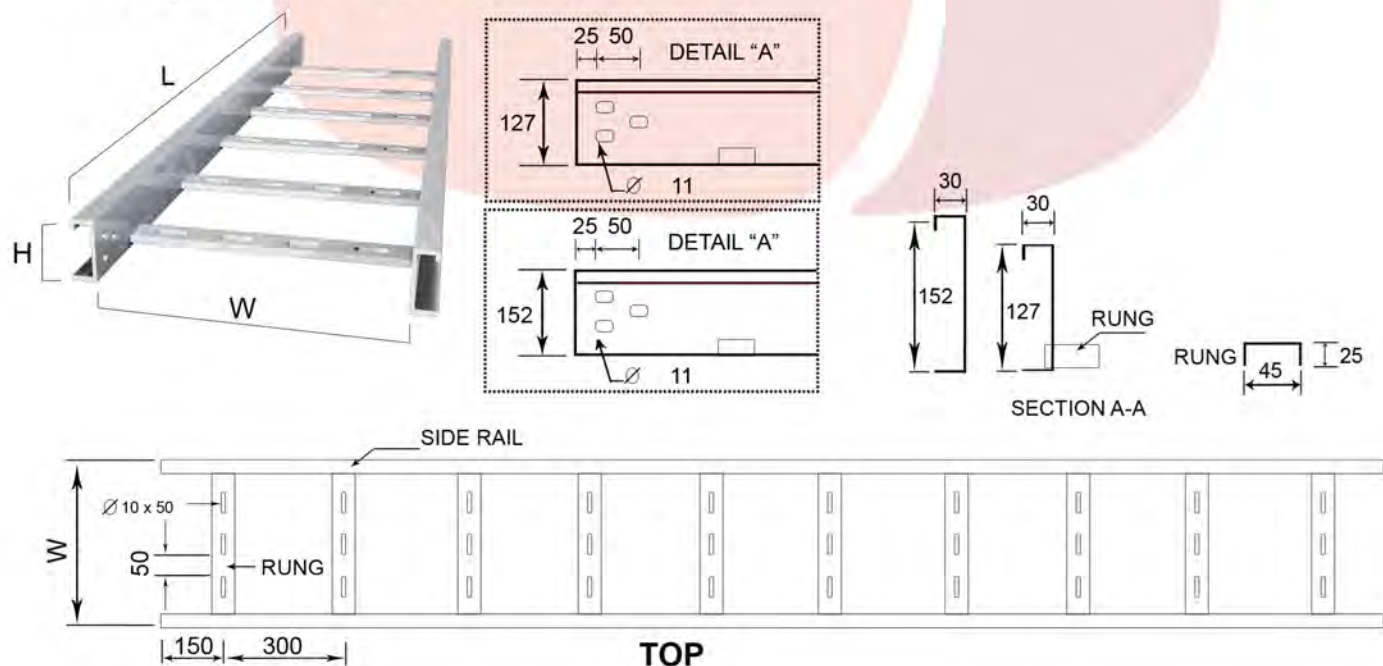
Straight Ladder Type W (SLW)



Straight Ladder Type U (SLU)



Straight Ladder Heavy Duty (SLHD)



CABLE LADDER (SLW/SLU/SLHD)

Unit: mm Thickness: 1,2 - 2mm Standard Length: 3000 mm Material: Hot Rolled Mild Steel Sheet (SPHC)*

Finishing: Hot Dip Galvanizing / Electro Galvanizing / Powder Coating

**Other dimension are available upon special request

*Other materials: Stainless steel (SS304, SS316, SS316L) and Aluminum (AA1100, AA5052, AA6063)

SLW PART NO	W	H	L
TC-SLW-100-100	100	100	3000
TC-SLW-200-100	200		3000
TC-SLW-300-100	300		3000
TC-SLW-400-100	400		3000
TC-SLW-500-100	500		3000
TC-SLW-600-100	600		3000
TC-SLW-800-100	800		3000
TC-SLW-1000-100	1000		3000

SLU PART NO	W	H	L	SLU PART NO	W	H	L
TC-SLU-50-50	50	50	3000	TC-SLU-100-100	100	100	3000
TC-SLU-100-50	100		3000	TC-SLU-200-100	200		3000
TC-SLU-200-50	200		3000	TC-SLU-300-100	300		3000
TC-SLU-300-50	300		3000	TC-SLU-400-100	400		3000
TC-SLU-400-50	400		3000	TC-SLU-500-100	500		3000
TC-SLU-600-50	600		3000	TC-SLU-600-100	600		3000
TC-SLU-800-50	800		3000	TC-SLU-800-100	800		3000
TC-SLU-1000-50	1000		3000	TC-SLU-1000-100	1000		3000

SLHD PART NO	SLHD PART NO	W	H	L
TC-SLHD-100-127	TC-SLHD-100-152	100	127, 152	3000
TC-SLHD-200-127	TC-SLHD-200-152	200		3000
TC-SLHD-300-127	TC-SLHD-300-152	300		3000
TC-SLHD-400-127	TC-SLHD-400-152	400		3000
TC-SLHD-500-127	TC-SLHD-500-152	500		3000
TC-SLHD-600-127	TC-SLHD-600-152	600		3000
TC-SLHD-800-127	TC-SLHD-800-152	800		3000
TC-SLHD-1000-127	TC-SLHD-1000-152	1000		3000



CABLE LADDER (SLW/SLU/SLHD)

Unit: mm Thickness: 1,2 - 2mm Radius: 150 mm Bend Angle: 45°, 90° Material: Hot Rolled Mild Steel Sheet (SPHC)*

Finishing: Hot Dip Galvanizing / Electro Galvanizing / Powder Coating

**Other dimension are available upon special request

*Other materials: Stainless steel (SS304, SS316, SS316L) and Aluminum (AA1100, AA5052, AA6063)

Horizontal Elbow Diagonal (ED)

Horizontal Elbow Radius (ER)



Available in:



FRONT VIEW

Horizontal Elbow Diagonal (ED)

SLW PART NO	SLU PART NO	SLHD PART NO	W	H	R
TC-SLW-ED-100-100	TC-SLU-ED-100-100	TC-SLU-CD-100-100	100	100	150, 300, 450, 600, 1000
TC-SLW-ED-200-100	TC-SLU-ED-200-100	TC-SLU-CD-200-100	200	100	
TC-SLW-ED-300-100	TC-SLU-ED-300-100	TC-SLU-CD-300-100	300	100	
TC-SLW-ED-400-100	TC-SLU-ED-400-100	TC-SLU-CD-400-100	400	100	
TC-SLW-ED-500-100	TC-SLU-ED-500-100	TC-SLU-CD-500-100	500	100	
TC-SLW-ED-600-100	TC-SLU-ED-600-100	TC-SLU-CD-600-100	600	100	
TC-SLW-ED-800-100	TC-SLU-ED-800-100	TC-SLU-CD-800-100	800	100	
TC-SLW-ED-1000-100	TC-SLU-ED-1000-100	TC-SLU-CD-1000-100	1000	100	

Horizontal Elbow Radius (ER)

SLW PART NO	SLU PART NO	SLHD PART NO	W	H	R
TC-SLW-ER-100-100	TC-SLU-ER-100-100	TC-SLU-CR-100-100	100	100	150, 300, 450, 600, 1000
TC-SLW-ER-200-100	TC-SLU-ER-200-100	TC-SLU-CR-200-100	200	100	
TC-SLW-ER-300-100	TC-SLU-ER-300-100	TC-SLU-CR-300-100	300	100	
TC-SLW-ER-400-100	TC-SLU-ER-400-100	TC-SLU-CR-400-100	400	100	
TC-SLW-ER-500-100	TC-SLU-ER-500-100	TC-SLU-CR-500-100	500	100	
TC-SLW-ER-600-100	TC-SLU-ER-600-100	TC-SLU-CR-600-100	600	100	
TC-SLW-ER-800-100	TC-SLU-ER-800-100	TC-SLU-CR-800-100	800	100	
TC-SLW-ER-1000-100	TC-SLU-ER-1000-100	TC-SLU-CR-1000-100	1000	100	



Unit: mm Thickness: 1,2 - 2mm Radius: 150 mm Bend Angle: 90° Material: Hot Rolled Mild Steel Sheet (SPHC)*

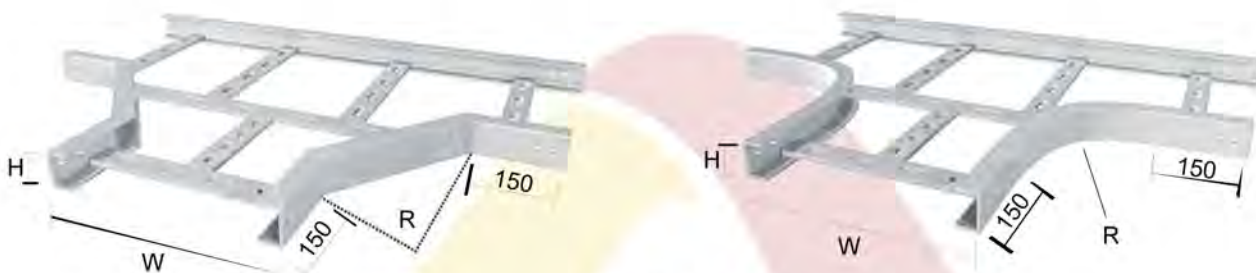
Finishing: Hot Dip Galvanizing / Electro Galvanizing / Powder Coating

**Other dimension are available upon special request

*Other materials: Stainless steel (SS304, SS316, SS316L) and Aluminum (AA1100, AA5052, AA6063)

Horizontal Tee Diagonal (TD)

Horizontal Tee Radius (TR)



Available in:



FRONT VIEW

Horizontal Tee Diagonal (TD)

SLW PART NO	SLU PART NO	W	H	R
TC-SLW-TD-100-100	TC-SLU-TD-100-100	100	100	150, 300, 450, 600, 1000
TC-SLW-TD-200-100	TC-SLU-TD-200-100	200	100	
TC-SLW-TD-300-100	TC-SLU-TD-300-100	300	100	
TC-SLW-TD-400-100	TC-SLU-TD-400-100	400	100	
TC-SLW-TD-500-100	TC-SLU-TD-500-100	500	100	
TC-SLW-TD-600-100	TC-SLU-TD-600-100	600	100	
TC-SLW-TD-800-100	TC-SLU-TD-800-100	800	100	
TC-SLW-TD-1000-100	TC-SLU-TD-1000-100	1000	100	

Horizontal Tee Radius (TR)

SLW PART NO	SLU PART NO	W	H	R
TC-SLW-TR-100-100	TC-SLU-TR-100-100	100	100	150, 300, 450, 600, 1000
TC-SLW-TR-200-100	TC-SLU-TR-200-100	200	100	
TC-SLW-TR-300-100	TC-SLU-TR-300-100	300	100	
TC-SLW-TR-400-100	TC-SLU-TR-400-100	400	100	
TC-SLW-TR-500-100	TC-SLU-TR-500-100	500	100	
TC-SLW-TR-600-100	TC-SLU-TR-600-100	600	100	
TC-SLW-TR-800-100	TC-SLU-TR-800-100	800	100	
TC-SLW-TR-1000-100	TC-SLU-TR-1000-100	1000	100	

Unit: mm Thickness: 1,2 - 2mm Radius: 150 mm Bend Angle: 90 ° Material: Hot Rolled Mild Steel Sheet (SPHC)*

Finishing: Hot Dip Galvanizing / Electro Galvanizing / Powder Coating

**Other dimension are available upon special request

*Other materials: Stainless steel (SS304, SS316, SS316L) and Aluminum (AA1100, AA5052, AA6063)

Horizontal Cross Diagonal (CD)

Horizontal Cross Radius (CR)



Available in:



FRONT VIEW

Horizontal Cross Diagonal (CD)

SLW PART NO	SLU PART NO	W	H	R
TC-SLW-CD-100-100	TC-SLU-CD-100-100	100	100	150, 300, 450, 600, 1000
TC-SLW-CD-200-100	TC-SLU-CD-200-100	200	100	
TC-SLW-CD-300-100	TC-SLU-CD-300-100	300	100	
TC-SLW-CD-400-100	TC-SLU-CD-400-100	400	100	
TC-SLW-CD-500-100	TC-SLU-CD-500-100	500	100	
TC-SLW-CD-600-100	TC-SLU-CD-600-100	600	100	
TC-SLW-CD-800-100	TC-SLU-CD-800-100	800	100	
TC-SLW-CD-1000-100	TC-SLU-CD-1000-100	1000	100	

Horizontal Cross Radius (CR)

SLW PART NO	SLU PART NO	W	H	R
TC-SLW-CR-100-100	TC-SLU-CR-100-100	100	100	150, 300, 450, 600, 1000
TC-SLW-CR-200-100	TC-SLU-CR-200-100	200	100	
TC-SLW-CR-300-100	TC-SLU-CR-300-100	300	100	
TC-SLW-CR-400-100	TC-SLU-CR-400-100	400	100	
TC-SLW-CR-500-100	TC-SLU-CR-500-100	500	100	
TC-SLW-CR-600-100	TC-SLU-CR-600-100	600	100	
TC-SLW-CR-800-100	TC-SLU-CR-800-100	800	100	
TC-SLW-CR-1000-100	TC-SLU-CR-1000-100	1000	100	

Unit: mm Thickness: 1,2 - 2mm Radius: 150 Bend Angle: 45°, 90° Material: Hot Rolled Mild Steel Sheet (SPHC)*

Finishing: Hot Dip Galvanizing / Electro Galvanizing / Powder Coating

**Other dimension are available upon special request

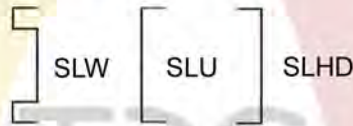
*Other materials: Stainless steel (SS304, SS316, SS316L) and Aluminum (AA1100, AA5052, AA6063)

Inside Riser Diagonal (IRD)

Inside Riser Radius (IRR)



Available in:



FRONT VIEW

Inside Riser Diagonal (IRD)

SLW PART NO	SLU/SLHD PART NO	W	H	R
TC-SLW-IRD-100-100	TC-SLU-IRD-100-100	100	100	150, 300, 450, 600, 1000
TC-SLW-IRD-200-100	TC-SLU-IRD-200-100	200	100	
TC-SLW-IRD-300-100	TC-SLU-IRD-300-100	300	100	
TC-SLW-IRD-400-100	TC-SLU-IRD-400-100	400	100	
TC-SLW-IRD-500-100	TC-SLU-IRD-500-100	500	100	
TC-SLW-IRD-600-100	TC-SLU-IRD-600-100	600	100	
TC-SLW-IRD-800-100	TC-SLU-IRD-800-100	800	100	
TC-SLW-IRD-1000-100	TC-SLU-IRD-1000-100	1000	100	

Inside Riser Radius (IRR)

SLW PART NO	SLU/SLHD PART NO	W	H	R
TC-SLW-IRR-100-100	TC-SLU-IRR-100-100	100	100	150, 300, 450, 600, 1000
TC-SLW-IRR-200-100	TC-SLU-IRR-200-100	200	100	
TC-SLW-IRR-300-100	TC-SLU-IRR-300-100	300	100	
TC-SLW-IRR-400-100	TC-SLU-IRR-400-100	400	100	
TC-SLW-IRR-500-100	TC-SLU-IRR-500-100	500	100	
TC-SLW-IRR-600-100	TC-SLU-IRR-600-100	600	100	
TC-SLW-IRR-800-100	TC-SLU-IRR-800-100	800	100	
TC-SLW-IRR-1000-100	TC-SLU-IRR-1000-100	1000	100	

Unit: mm Thickness: 1,2 - 2mm Radius: 150 mm Bend Angle: 45°, 90° Material: Hot Rolled Mild Steel Sheet (SPHC)*

Finishing: Hot Dip Galvanizing / Electro Galvanizing / Powder Coating

**Other dimension are available upon special request

*Other materials: Stainless steel (SS304, SS316, SS316L) and Aluminum (AA1100, AA5052, AA6063)

Outside Riser Diagonal (ORD)



Outside Riser Radius (ORR)



Available in:



FRONT VIEW

Outside Riser Diagonal (ORD)

SLW PART NO	SLU/SLHD PART NO	W	H	R
TC-SLW-ORD-100-100	TC-SLU-ORD-100-100	100	100	150, 300, 450, 600, 1000
TC-SLW-ORD-200-100	TC-SLU-ORD-200-100	200	100	
TC-SLW-ORD-300-100	TC-SLU-ORD-300-100	300	100	
TC-SLW-ORD-400-100	TC-SLU-ORD-400-100	400	100	
TC-SLW-ORD-500-100	TC-SLU-ORD-500-100	500	100	
TC-SLW-ORD-600-100	TC-SLU-ORD-600-100	600	100	
TC-SLW-ORD-800-100	TC-SLU-ORD-800-100	800	100	
TC-SLW-ORD-1000-100	TC-SLU-ORD-1000-100	1000	100	

Outside Riser Radius (ORR)

SLW PART NO	SLU/SLHD PART NO	W	H	R
TC-SLW-ORR-100-100	TC-SLU-ORR-100-100	100	100	150, 300, 450, 600, 1000
TC-SLW-ORR-200-100	TC-SLU-ORR-200-100	200	100	
TC-SLW-ORR-300-100	TC-SLU-ORR-300-100	300	100	
TC-SLW-ORR-400-100	TC-SLU-ORR-400-100	400	100	
TC-SLW-ORR-500-100	TC-SLU-ORR-500-100	500	100	
TC-SLW-ORR-600-100	TC-SLU-ORR-600-100	600	100	
TC-SLW-ORR-800-100	TC-SLU-ORR-800-100	800	100	
TC-SLW-ORR-1000-100	TC-SLU-ORR-1000-100	1000	100	

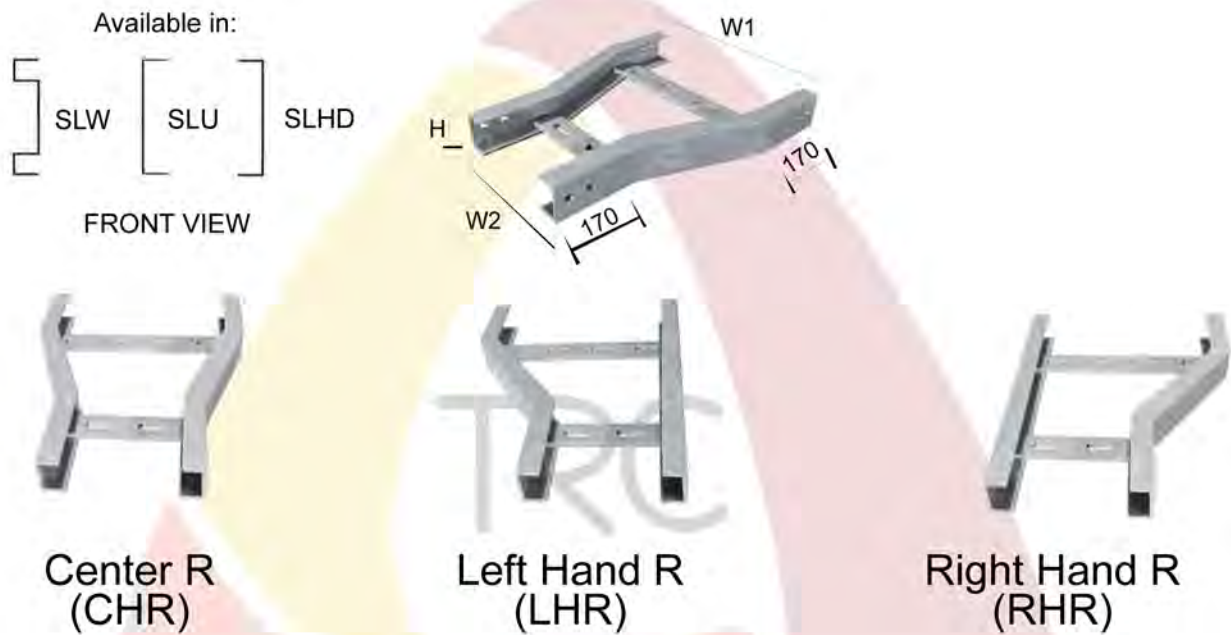
Unit: Thickness: Material:
mm 1,2 - 2mm Hot Rolled Mild Steel Sheet (SPHC)*

Finishing: Hot Dip Galvanizing / Electro Galvanizing / Powder Coating

**Other dimension are available upon special request

*Other materials: Stainless steel (SS304, SS316, SS316L) and Aluminum (AA1100, AA5052, AA6063)

Reducer (HR)



SLW PART NO	SLW PART NO	SLW PART NO	W1	W2	H
TC-SLW-CHR-200-100	TC-SLW-LHR-200-100	TC-SLW-RHR-200-100	200	100	100
TC-SLW-CHR-300-200	TC-SLW-LHR-300-200	TC-SLW-RHR-300-200	300	200	100
TC-SLW-CHR-400-300	TC-SLW-LHR-400-300	TC-SLW-RHR-400-300	400	300	100
TC-SLW-CHR-500-400	TC-SLW-LHR-500-400	TC-SLW-RHR-500-400	500	400	100
TC-SLW-CHR-600-500	TC-SLW-LHR-600-500	TC-SLW-RHR-600-500	600	500	100
TC-SLW-CHR-800-600	TC-SLW-LHR-800-600	TC-SLW-RHR-800-600	800	600	100
TC-SLW-CHR-1000-800	TC-SLW-LHR-1000-800	TC-SLW-RHR-1000-800	1000	800	100

SLU/SLHD PART NO	SLU/SLHD PART NO	SLU/SLHD PART NO	W1	W2	H
TC-SLU-CHR-200-100	TC-SLU-LHR-200-100	TC-SLU-RHR-200-100	200	100	100
TC-SLU-CHR-300-200	TC-SLU-LHR-300-200	TC-SLU-RHR-300-200	300	200	100
TC-SLU-CHR-400-300	TC-SLU-LHR-400-300	TC-SLU-RHR-400-300	400	300	100
TC-SLU-CHR-500-400	TC-SLU-LHR-500-400	TC-SLU-RHR-500-400	500	400	100
TC-SLU-CHR-600-500	TC-SLU-LHR-600-500	TC-SLU-RHR-600-500	600	500	100
TC-SLU-CHR-800-600	TC-SLU-LHR-800-600	TC-SLU-RHR-800-600	800	600	100
TC-SLU-CHR-1000-800	TC-SLU-LHR-1000-800	TC-SLU-RHR-1000-800	1000	800	100

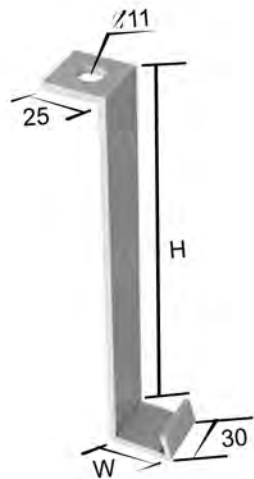
ACCESSORIES

Unit: Thickness: Material:
 mm 1,2 - 2mm Hot Rolled Mild Steel Sheet (SPHC)*

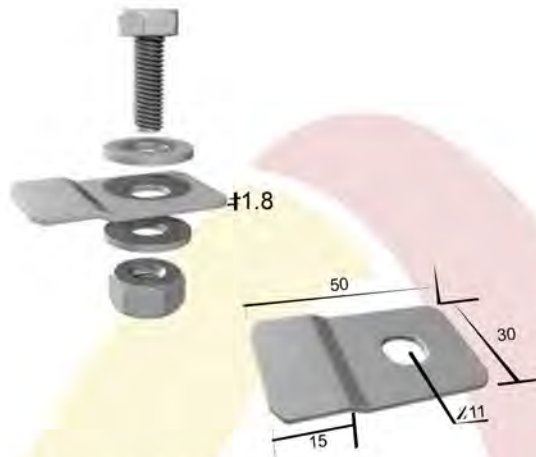
Finishing: Hot Dip Galvanizing / Electro Galvanizing / Powder Coating

**Other dimension are available upon special request

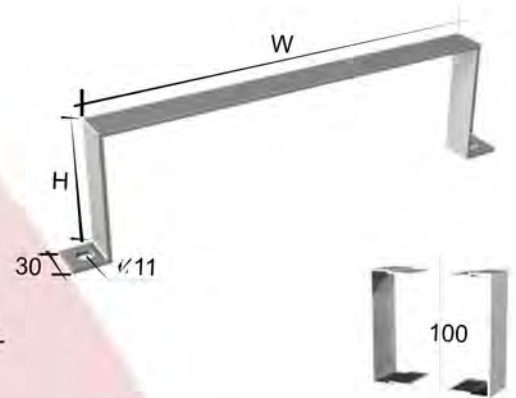
*Other materials: Stainless steel (SS304, SS316, SS316L) and Aluminum (AA1100, AA5052)



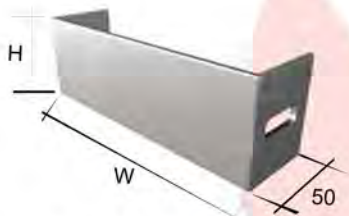
Hold Down Clamp



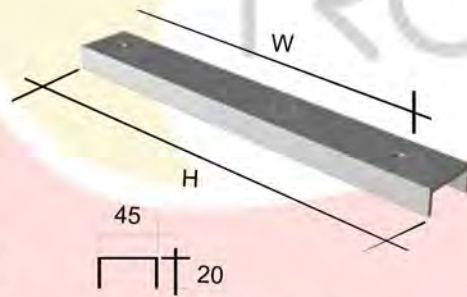
Hold Down Clip



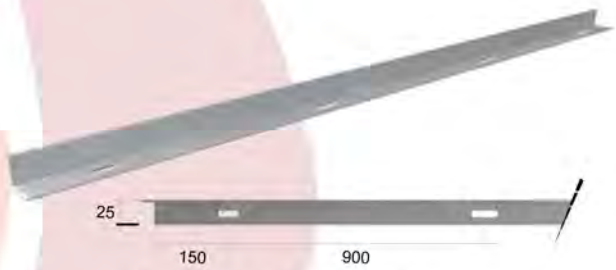
Cover Clamp & Cover Clip



End Plate Set



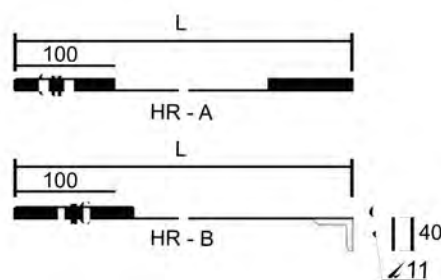
Hanger Beam



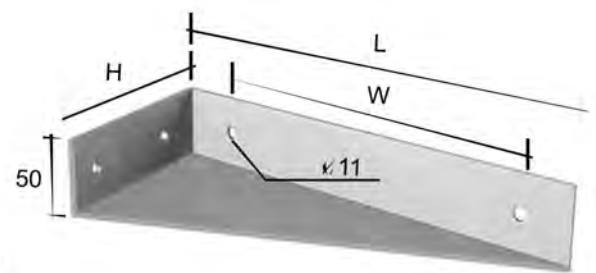
Straight Separator



Spice Plate Set



Hanger Rod



Bracket Support



Unit: Thickness: Material:
 mm 1,2 - 2mm Hot Rolled Mild Steel Sheet (SPHC)*

Finishing: Hot Dip Galvanizing / Electro Galvanizing / Powder Coating

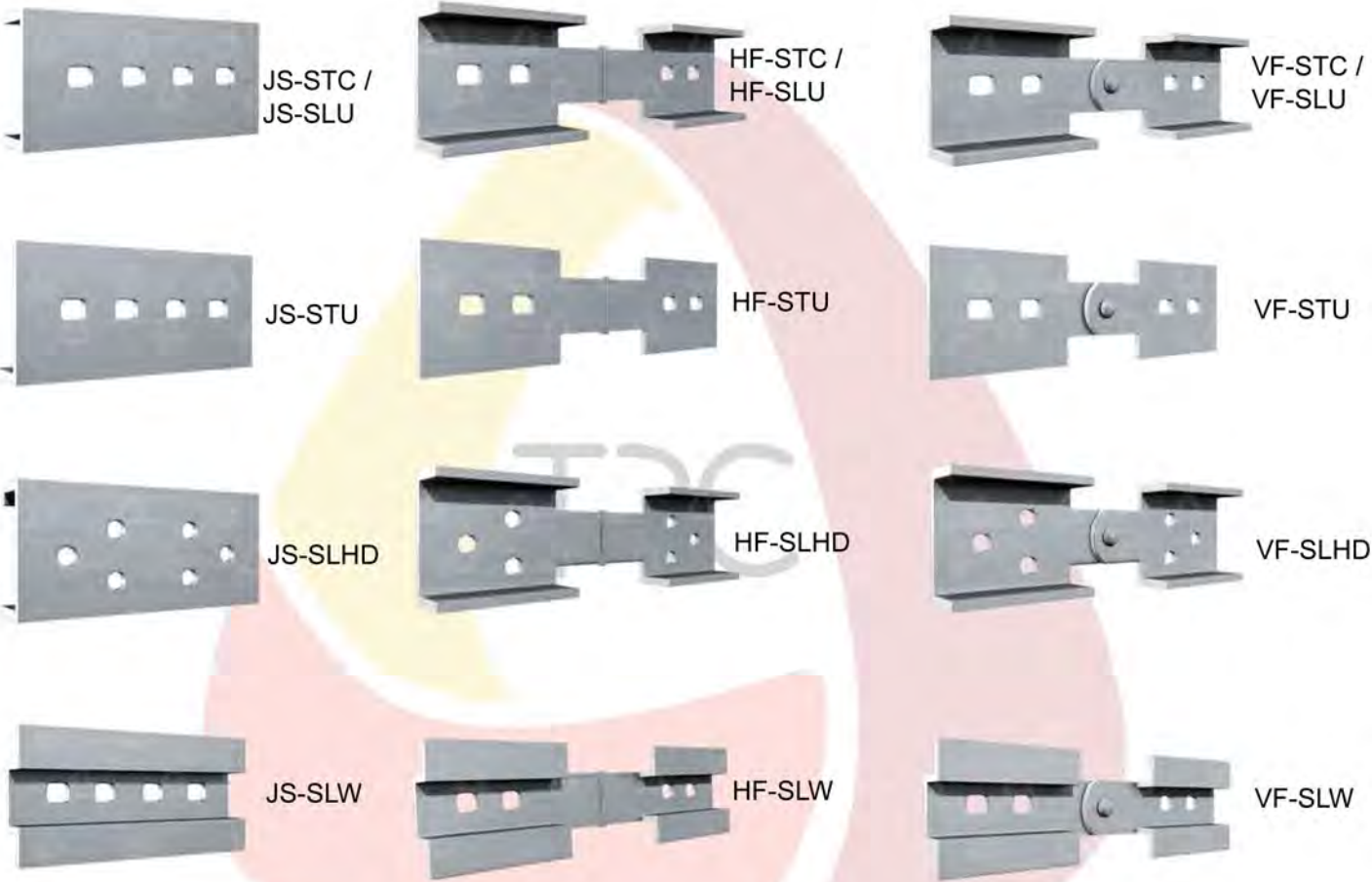
**Other dimension are available upon special request

*Other materials: Stainless steel (SS304, SS316, SS316L) and Aluminum (AA1100, AA5052)

Jointing Set (JS)

Horizontal Fish Plate (HF)

Vertical Fish Plate (VF)



Included: Hex Bolt or Roundhead bolt with Washer and Nut



Hex Bolt M8 x20



Washer



Nut



Roundhead 3/8 x3/4

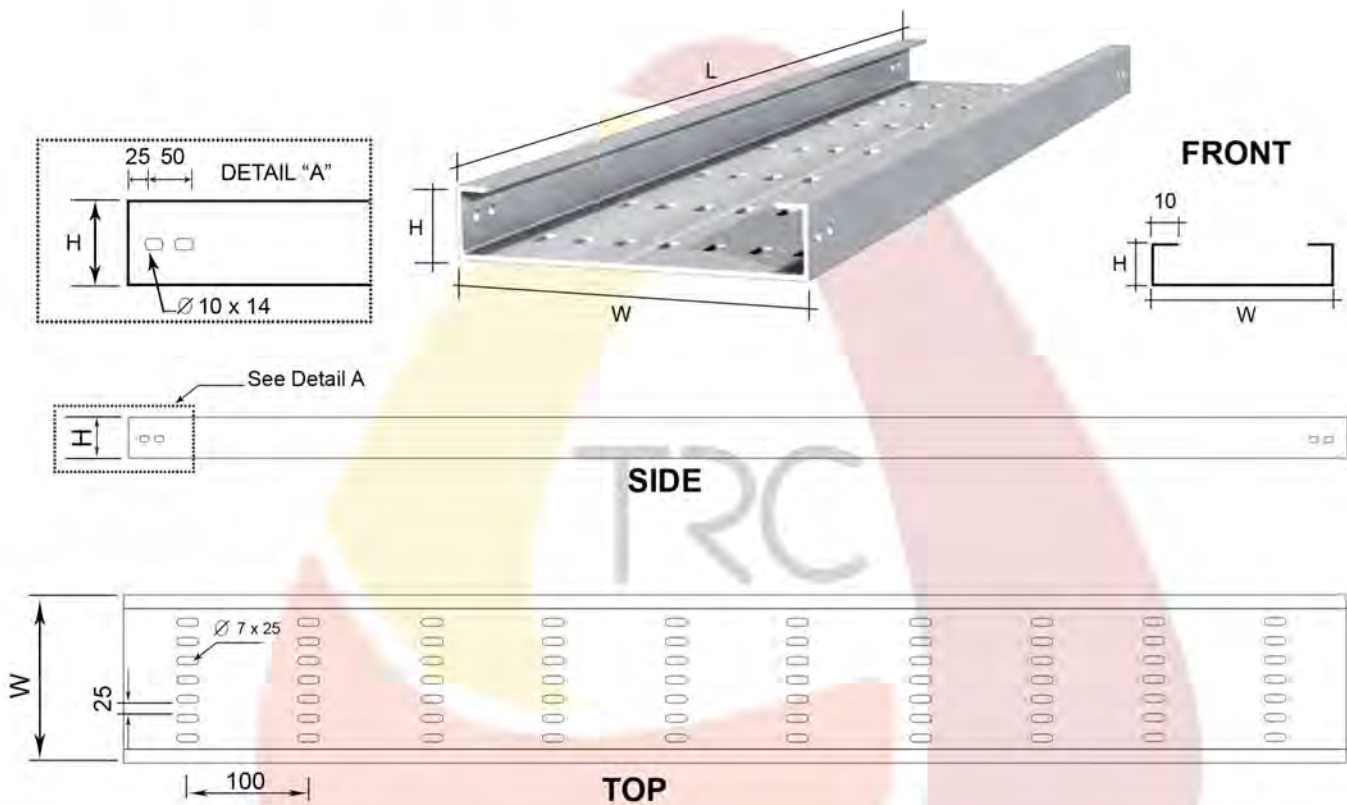
Unit: Thickness: Standard Length: Material:
 mm 1,2 - 2mm 3000 mm Hot Rolled Mild Steel Sheet (SPHC)*

Finishing: Hot Dip Galvanizing / Electro Galvanizing / Powder Coating

**Other dimension are available upon special request

*Other materials: Stainless steel (SS304, SS316, SS316L) and Aluminum (AA1100, AA5052)

Straight Tray Type C (STC)



STC PART NO	W	H	L
TC-STC-50-50	50	50	3000
TC-STC-100-100	100		3000
TC-STC-200-100	200		3000
TC-STC-300-100	300		3000
TC-STC-400-100	400		3000
TC-STC-600-100	600		3000
TC-STC-800-100	800		3000
TC-STC-1000-100	1000		3000

STC PART NO	W	H	L
TC-STC-100-100	100	100	3000
TC-STC-200-100	200		3000
TC-STC-300-100	300		3000
TC-STC-400-100	400		3000
TC-STC-500-100	500		3000
TC-STC-600-100	600		3000
TC-STC-800-100	800		3000
TC-STC-1000-100	1000		3000

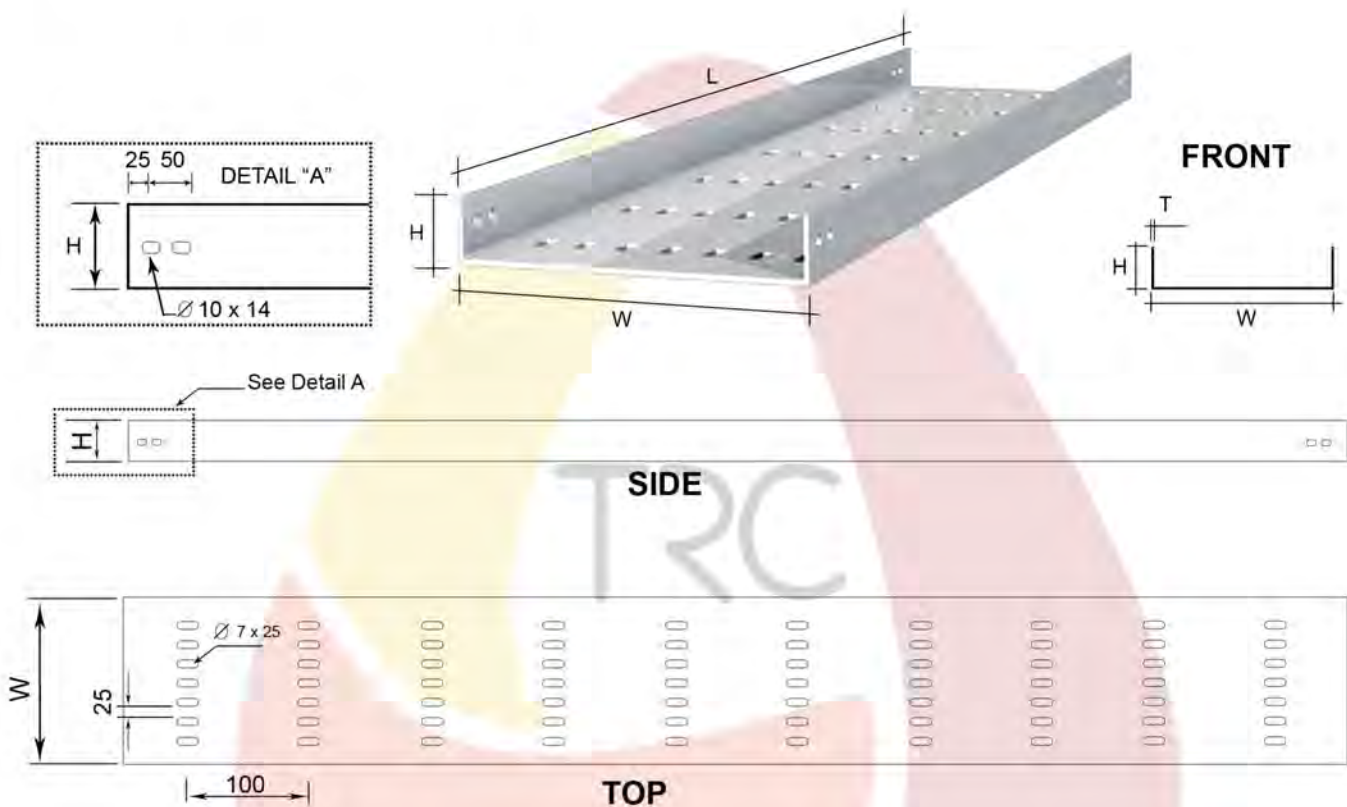
Unit: mm Thickness: 1,2 - 2mm Standard Length: 3000 mm Material: Hot Rolled Mild Steel Sheet (SPHC)*

Finishing: Hot Dip Galvanizing / Electro Galvanizing / Powder Coating

**Other dimension are available upon special request

*Other materials: Stainless steel (SS304, SS316, SS316L) and Aluminum (AA1100, AA5052)

Straight Tray Type U (STU)



STU PART NO	W	H	L
TC-STU-50-50	50	50	3000
TC-STU-100-100	100		3000
TC-STU-200-100	200		3000
TC-STU-300-100	300		3000
TC-STU-400-100	400		3000
TC-STU-600-100	600		3000
TC-STU-800-100	800		3000
TC-STU-1000-100	1000		3000

STU PART NO	W	H	L
TC-STU-100-100	100	100	3000
TC-STU-200-100	200		3000
TC-STU-300-100	300		3000
TC-STU-400-100	400		3000
TC-STU-500-100	500		3000
TC-STU-600-100	600		3000
TC-STU-800-100	800		3000
TC-STU-1000-100	1000		3000

Unit: Thickness: Radius Bend Angle Material:
mm 1,2 - 2mm 50 mm 45 °, 90 ° Hot Rolled Mild Steel Sheet (SPHC)*

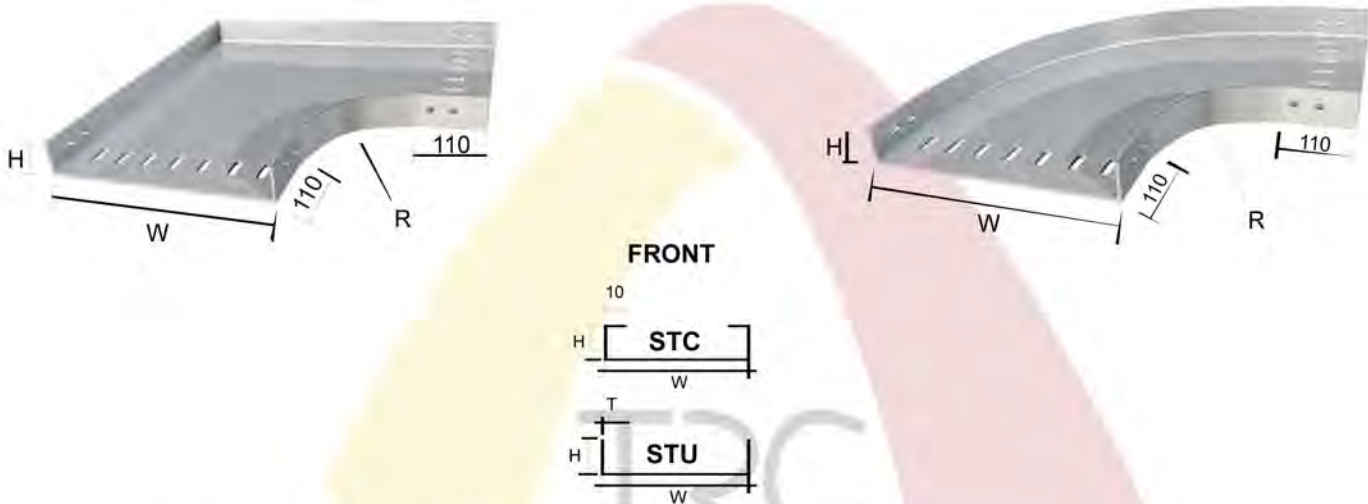
Finishing: Hot Dip Galvanizing / Electro Galvanizing / Powder Coating

**Other dimension are available upon special request

*Other materials: Stainless steel (SS304, SS316, SS316L) and Aluminum (AA1100, AA5052)

Horizontal Elbow Diagonal (ED)

Horizontal Elbow Radius (ER)



Horizontal Elbow Diagonal (ED)

STC PART NO	STU PART NO	W	H	R
TC-STC-ED-100-100	TC-STU-ED-100-100	100	100	50, 100, 150, 300, 450, 600, 1000
TC-STC-ED-200-100	TC-STU-ED-200-100	200	100	
TC-STC-ED-300-100	TC-STU-ED-300-100	300	100	
TC-STC-ED-400-100	TC-STU-ED-400-100	400	100	
TC-STC-ED-500-100	TC-STU-ED-500-100	500	100	
TC-STC-ED-600-100	TC-STU-ED-600-100	600	100	
TC-STC-ED-800-100	TC-STU-ED-800-100	800	100	
TC-STC-ED-1000-100	TC-STU-ED-1000-100	1000	100	

Horizontal Elbow Radius (ER)

STC PART NO	STU PART NO	W	H	R
TC-STC-ER-100-100	TC-STU-ER-100-100	100	100	50, 100, 150, 300, 450, 600, 1000
TC-STC-ER-200-100	TC-STU-ER-200-100	200	100	
TC-STC-ER-300-100	TC-STU-ER-300-100	300	100	
TC-STC-ER-400-100	TC-STU-ER-400-100	400	100	
TC-STC-ER-500-100	TC-STU-ER-500-100	500	100	
TC-STC-ER-600-100	TC-STU-ER-600-100	600	100	
TC-STC-ER-800-100	TC-STU-ER-800-100	800	100	
TC-STC-ER-1000-100	TC-STU-ER-1000-100	1000	100	

Unit: mm Thickness: 1,2 - 2mm Radius: 50 mm Bend Angle: 90 ° Material: Hot Rolled Mild Steel Sheet (SPHC)*

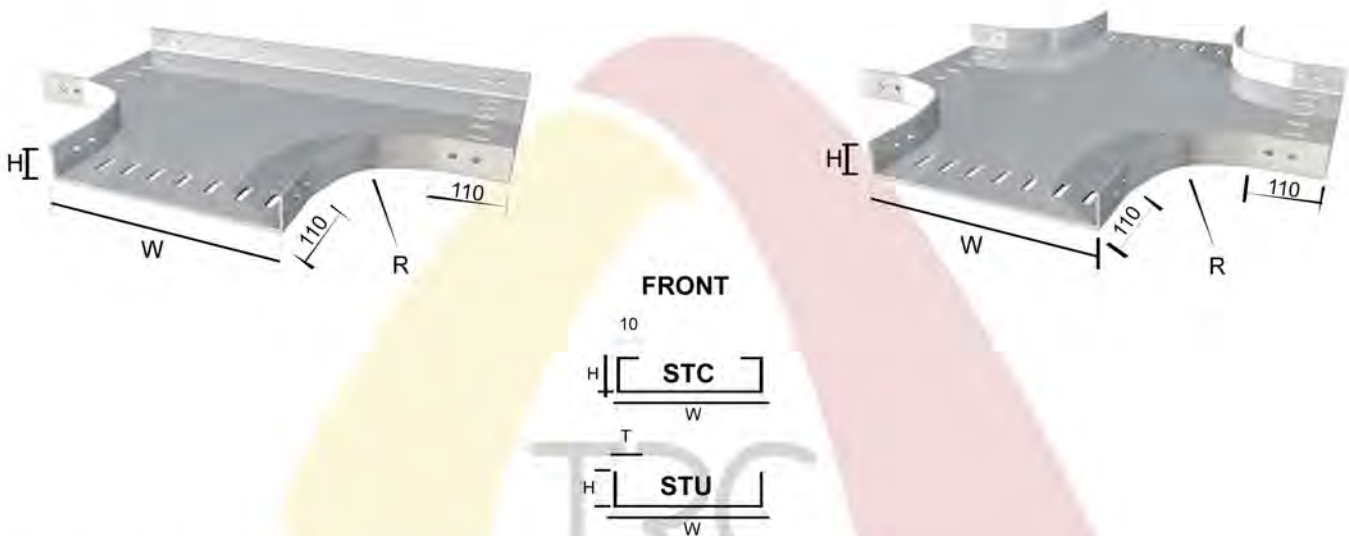
Finishing: Hot Dip Galvanizing / Electro Galvanizing / Powder Coating

**Other dimension are available upon special request

*Other materials: Stainless steel (SS304, SS316, SS316L) and Aluminum (AA1100, AA5052)

Horizontal Tee Radius (TR)

Horizontal Cross Radius (CR)



Horizontal Tee Radius (TR)

STC PART NO	STU PART NO	W	H	R
TC-STC-TR-100-100	TC-STU-TR-100-100	100	100	
TC-STC-TR-200-100	TC-STU-TR-200-100	200	100	50,
TC-STC-TR-300-100	TC-STU-TR-300-100	300	100	100,
TC-STC-TR-400-100	TC-STU-TR-400-100	400	100	150,
TC-STC-TR-500-100	TC-STU-TR-500-100	500	100	300,
TC-STC-TR-600-100	TC-STU-TR-600-100	600	100	450,
TC-STC-TR-800-100	TC-STU-TR-800-100	800	100	600,
TC-STC-TR-1000-100	TC-STU-TR-1000-100	1000	100	1000

Horizontal Cross Radius (CR)

STC PART NO	STU PART NO	W	H	R
TC-STC-CR-100-100	TC-STU-CR-100-100	100	100	
TC-STC-CR-200-100	TC-STU-CR-200-100	200	100	50,
TC-STC-CR-300-100	TC-STU-CR-300-100	300	100	100,
TC-STC-CR-400-100	TC-STU-CR-400-100	400	100	150,
TC-STC-CR-500-100	TC-STU-CR-500-100	500	100	300,
TC-STC-CR-600-100	TC-STU-CR-600-100	600	100	450,
TC-STC-CR-800-100	TC-STU-CR-800-100	800	100	600,
TC-STC-CR-1000-100	TC-STU-CR-1000-100	1000	100	1000

Unit: mm Thickness: 1,2 - 2mm Radius: 150 mm Bend Angle: 45°, 90° Material: Hot Rolled Mild Steel Sheet (SPHC)*

Finishing: Hot Dip Galvanizing / Electro Galvanizing / Powder Coating

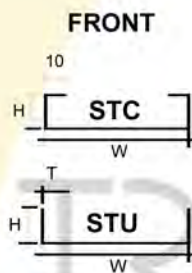
**Other dimension are available upon special request

*Other materials: Stainless steel (SS304, SS316, SS316L) and Aluminum (AA1100, AA5052)

Outside Riser Diagonal (ORD)



Outside Riser Radius (ORR)



Outside Riser Diagonal (ORD)

STC PART NO	STU PART NO	W	H	R
TC-STC-ORD-100-100	TC-STU-ORD-100-100	100	100	150, 300, 450, 600, 1000
TC-STC-ORD-200-100	TC-STU-ORD-200-100	200	100	
TC-STC-ORD-300-100	TC-STU-ORD-300-100	300	100	
TC-STC-ORD-400-100	TC-STU-ORD-400-100	400	100	
TC-STC-ORD-500-100	TC-STU-ORD-500-100	500	100	
TC-STC-ORD-600-100	TC-STU-ORD-600-100	600	100	
TC-STC-ORD-800-100	TC-STU-ORD-800-100	800	100	
TC-STC-ORD-1000-100	TC-STU-ORD-1000-100	1000	100	

Outside Riser Radius (ORR)

STC PART NO	STU PART NO	W	H	R
TC-STC-ORR-100-100	TC-STU-ORR-100-100	100	100	150, 300, 450, 600, 1000
TC-STC-ORR-200-100	TC-STU-ORR-200-100	200	100	
TC-STC-ORR-300-100	TC-STU-ORR-300-100	300	100	
TC-STC-ORR-400-100	TC-STU-ORR-400-100	400	100	
TC-STC-ORR-500-100	TC-STU-ORR-500-100	500	100	
TC-STC-ORR-600-100	TC-STU-ORR-600-100	600	100	
TC-STC-ORR-800-100	TC-STU-ORR-800-100	800	100	
TC-STC-ORR-1000-100	TC-STU-ORR-1000-100	1000	100	

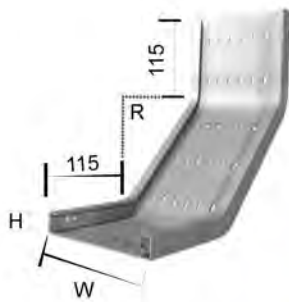
Unit: mm Thickness: 1,2 - 2mm Radius: 150 mm Bend Angle: 45 °, 90 ° Material: Hot Rolled Mild Steel Sheet (SPHC)*

Finishing: Hot Dip Galvanizing / Electro Galvanizing / Powder Coating

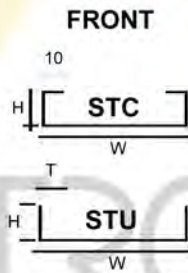
**Other dimension are available upon special request

*Other materials: Stainless steel (SS304, SS316, SS316L) and Aluminum (AA1100, AA5052)

Inside Riser Diagonal (ORD)



Inside Riser Radius (IRR)



Inside Riser Diagonal (ORD)

STC PART NO	STU PART NO	W	H	R
TC-STC-IRD-100-100	TC-STU-IRD-100-100	100	100	150, 300, 450, 600, 1000
TC-STC-IRD-200-100	TC-STU-IRD-200-100	200	100	
TC-STC-IRD-300-100	TC-STU-IRD-300-100	300	100	
TC-STC-IRD-400-100	TC-STU-IRD-400-100	400	100	
TC-STC-IRD-500-100	TC-STU-IRD-500-100	500	100	
TC-STC-IRD-600-100	TC-STU-IRD-600-100	600	100	
TC-STC-IRD-800-100	TC-STU-IRD-800-100	800	100	
TC-STC-IRD-1000-100	TC-STU-IRD-1000-100	1000	100	

Inside Riser Radius (IRR)

STC PART NO	STU PART NO	W	H	R
TC-STC-IRR-100-100	TC-STU-IRR-100-100	100	100	150, 300, 450, 600, 1000
TC-STC-IRR-200-100	TC-STU-IRR-200-100	200	100	
TC-STC-IRR-300-100	TC-STU-IRR-300-100	300	100	
TC-STC-IRR-400-100	TC-STU-IRR-400-100	400	100	
TC-STC-IRR-500-100	TC-STU-IRR-500-100	500	100	
TC-STC-IRR-600-100	TC-STU-IRR-600-100	600	100	
TC-STC-IRR-800-100	TC-STU-IRR-800-100	800	100	
TC-STC-IRR-1000-100	TC-STU-IRR-1000-100	1000	100	

Unit: Thickness: Material:
mm 1,2 - 2mm Hot Rolled Mild Steel Sheet (SPHC)*

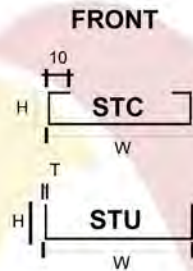
Finishing: Hot Dip Galvanizing / Electro Galvanizing / Powder Coating

**Other dimension are available upon special request

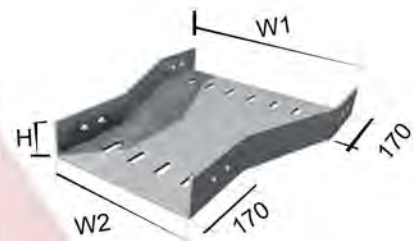
*Other materials: Stainless steel (SS304, SS316, SS316L) and Aluminum (AA1100, AA5052)

Reducer (HR)

Center Reducer (CHR)



Details:



Left Hand Reducer (LHR)



Right Hand Reducer (RHR)



STC PART NO	STC PART NO	STC PART NO	W1	W2	H
TC-STC-CHR-200-100	TC-STC-LHR-200-100	TC-STC-RHR-200-100	200	100	100
TC-STC-CHR-300-200	TC-STC-LHR-300-200	TC-STC-RHR-300-200	300	200	100
TC-STC-CHR-400-300	TC-STC-LHR-400-300	TC-STC-RHR-400-300	400	300	100
TC-STC-CHR-500-400	TC-STC-LHR-500-400	TC-STC-RHR-500-400	500	400	100
TC-STC-CHR-600-500	TC-STC-LHR-600-500	TC-STC-RHR-600-500	600	500	100
TC-STC-CHR-800-600	TC-STC-LHR-800-600	TC-STC-RHR-800-600	800	600	100
TC-STC-CHR-1000-800	TC-STC-LHR-1000-800	TC-STC-RHR-1000-800	1000	800	100

STU PART NO	STU PART NO	STU PART NO	W1	W2	H
TC-STU-CHR-200-100	TC-STU-LHR-200-100	TC-STU-RHR-200-100	200	100	100
TC-STU-CHR-300-200	TC-STU-LHR-300-200	TC-STU-RHR-300-200	300	200	100
TC-STU-CHR-400-300	TC-STU-LHR-400-300	TC-STU-RHR-400-300	400	300	100
TC-STU-CHR-500-400	TC-STU-LHR-500-400	TC-STU-RHR-500-400	500	400	100
TC-STU-CHR-600-500	TC-STU-LHR-600-500	TC-STU-RHR-600-500	600	500	100
TC-STU-CHR-800-600	TC-STU-LHR-800-600	TC-STU-RHR-800-600	800	600	100
TC-STU-CHR-1000-800	TC-STU-LHR-1000-800	TC-STU-RHR-1000-800	1000	800	100

CABLE DUCT (DTC/DTU)

Unit: mm Thickness: 1,2 - 2mm Standard Length: 3000 mm Material: Hot Rolled Mild Steel Sheet (SPHC)*

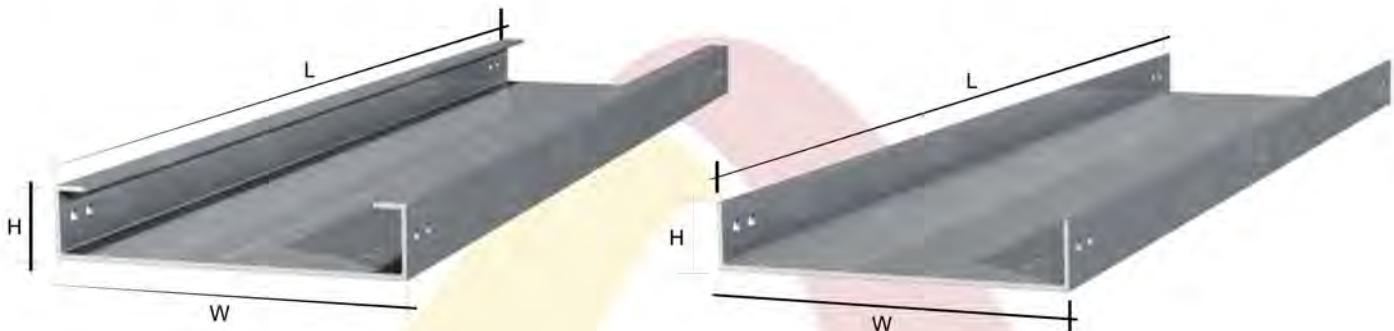
Finishing: Hot Dip Galvanizing / Electro Galvanizing / Powder Coating

**Other dimension are available upon special request

*Other materials: Stainless steel (SS304, SS316, SS316L) and Aluminum (AA1100, AA5052)

Cable Duct Type C (DTC)

Cable Duct Type U (DTU)



DTC PART NO	W	H	L
TC-DTC-50-50	50	50	3000
TC-DTC-100-100	100		3000
TC-DTC-200-100	200		3000
TC-DTC-300-100	300		3000
TC-DTC-400-100	400		3000
TC-DTC-600-100	600		3000
TC-DTC-800-100	800		3000
TC-DTC-1000-100	1000		3000

DTU PART NO	W	H	L
TC-DTU-50-50	50	50	3000
TC-DTU-100-100	100		3000
TC-DTU-200-100	200		3000
TC-DTU-300-100	300		3000
TC-DTU-400-100	400		3000
TC-DTU-600-100	600		3000
TC-DTU-800-100	800		3000
TC-DTU-1000-100	1000		3000

DTC PART NO	W	H	L
TC-DTC-100-100	100	100	3000
TC-DTC-200-100	200		3000
TC-DTC-300-100	300		3000
TC-DTC-400-100	400		3000
TC-DTC-500-100	500		3000
TC-DTC-600-100	600		3000
TC-DTC-800-100	800		3000
TC-DTC-1000-100	1000		3000

DTU PART NO	W	H	L
TC-DTU-100-100	100	100	3000
TC-DTU-200-100	200		3000
TC-DTU-300-100	300		3000
TC-DTU-400-100	400		3000
TC-DTU-500-100	500		3000
TC-DTU-600-100	600		3000
TC-DTU-800-100	800		3000
TC-DTU-1000-100	1000		3000



Unit: Thickness: Material:
mm 1,2 - 2mm Hot Rolled Mild Steel Sheet (SPHC)*

Finishing: Hot Dip Galvanizing / Electro Galvanizing / Powder Coating

**Other dimension are available upon special request

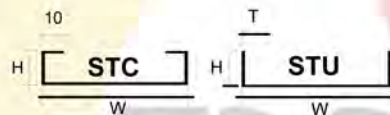
*Other materials: Stainless steel (SS304, SS316, SS316L) and Aluminum (AA1100, AA5052)

Center Reducer (CHR)

Horizontal Elbow Radius (ER)



Available in:



FRONT VIEW

Center Reducer (CHR)

DTC PART NO	DTU PART NO	W1	W2	H
TC-DTC-CHR-200-100	TC-DTU-CHR-200-100	200	100	100
TC-DTC-CHR-300-100	TC-DTU-CHR-300-100	300	200	100
TC-DTC-CHR-400-100	TC-DTU-CHR-400-100	400	300	100
TC-DTC-CHR-500-100	TC-DTU-CHR-500-100	500	400	100
TC-DTC-CHR-600-100	TC-DTU-CHR-600-100	600	500	100
TC-DTC-CHR-800-100	TC-DTU-CHR-800-100	800	600	100
TC-DTC-CHR-1000-100	TC-DTU-CHR-1000-100	1000	800	100

Horizontal Elbow Radius (ER)

DTC PART NO	DTU PART NO	W	H	R
TC-DTC-ER-100-100	TC-DTU-ER-100-100	100	100	50, 100, 150, 300, 450, 600, 1000
TC-DTC-ER-200-100	TC-DTU-ER-200-100	200	100	
TC-DTC-ER-300-100	TC-DTU-ER-300-100	300	100	
TC-DTC-ER-400-100	TC-DTU-ER-400-100	400	100	
TC-DTC-ER-500-100	TC-DTU-ER-500-100	500	100	
TC-DTC-ER-600-100	TC-DTU-ER-600-100	600	100	
TC-DTC-ER-800-100	TC-DTU-ER-800-100	800	100	
TC-DTC-ER-1000-100	TC-DTU-ER-1000-100	1000	100	

Unit: mm Thickness: 1,2 - 2mm Radius: 50 mm Bend Angle: 90 ° Material: Hot Rolled Mild Steel Sheet (SPHC)*

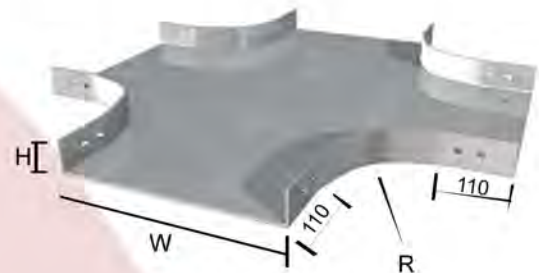
Finishing: Hot Dip Galvanizing / Electro Galvanizing / Powder Coating

**Other dimension are available upon special request

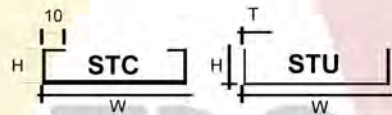
*Other materials: Stainless steel (SS304, SS316, SS316L) and Aluminum (AA1100, AA5052)

Horizontal Tee Radius (TR)

Horizontal Cross Radius (CR)



Available in:



FRONT VIEW

Horizontal Tee Radius (TR)

DTC PART NO	DTU PART NO	W	H	R
TC-DTC-TR-100-100	TC-DTU-TR-100-100	100	100	50, 100, 150, 300, 450, 600, 1000
TC-DTC-TR-200-100	TC-DTU-TR-200-100	200	100	
TC-DTC-TR-300-100	TC-DTU-TR-300-100	300	100	
TC-DTC-TR-400-100	TC-DTU-TR-400-100	400	100	
TC-DTC-TR-500-100	TC-DTU-TR-500-100	500	100	
TC-DTC-TR-600-100	TC-DTU-TR-600-100	600	100	
TC-DTC-TR-800-100	TC-DTU-TR-800-100	800	100	
TC-DTC-TR-1000-100	TC-DTU-TR-1000-100	1000	100	

Horizontal Cross Radius (CR)

DTC PART NO	DTU PART NO	W	H	R
TC-DTC-CR-100-100	TC-DTU-CR-100-100	100	100	50, 100, 150, 300, 450, 600, 1000
TC-DTC-CR-200-100	TC-DTU-CR-200-100	200	100	
TC-DTC-CR-300-100	TC-DTU-CR-300-100	300	100	
TC-DTC-CR-400-100	TC-DTU-CR-400-100	400	100	
TC-DTC-CR-500-100	TC-DTU-CR-500-100	500	100	
TC-DTC-CR-600-100	TC-DTU-CR-600-100	600	100	
TC-DTC-CR-800-100	TC-DTU-CR-800-100	800	100	
TC-DTC-CR-1000-100	TC-DTU-CR-1000-100	1000	100	

CABLE CAGE

Unit: mm Diameter: 5 - 6 mm Standard Length: 3000 mm Material: Drawn wire steel

Finishing: Hot Dip Galvanizing / Electro Galvanizing / Powder Coating

**Other dimension are available upon special request

*Other materials: Stainless steel (SS304, SS316, SS316L)

Cable Cage (CC)

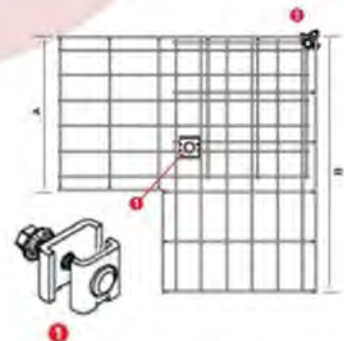
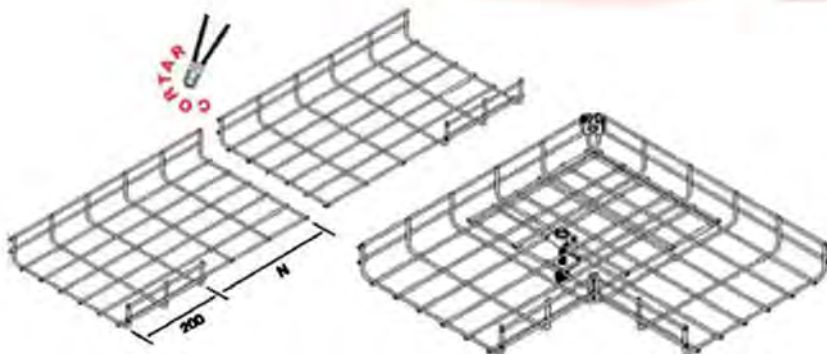


CC PART NO	W	H	L
TC-CC-50-50	50	50	3000
TC-CC-100-50	100		3000
TC-CC-150-50	150		3000
TC-CC-200-50	200		3000
TC-CC-300-50	300		3000
TC-CC-400-50	400		3000
TC-CC-500-50	500		3000
TC-CC-600-50	600		3000

CC PART NO	W	H	L
TC-CC-100-100	100	100	3000
TC-CC-150-100	150		3000
TC-CC-200-100	200		3000
TC-CC-300-100	300		3000
TC-CC-400-100	400		3000
TC-CC-500-100	500		3000
TC-CC-600-100	600		3000

Installation for 100-600 mm width trays

scissors cut



90 degrees Bend



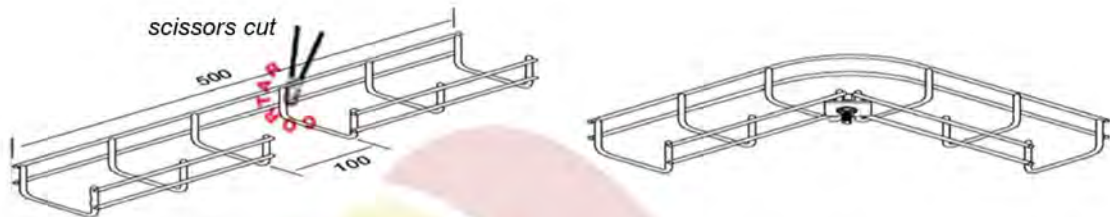
CABLE CAGE INSTALLATION

Unit: Diameter: Standard Length: Material:
mm 5 - 6 mm 3000 mm Drawn Wire Steel

Finishing: Hot Dip Galvanizing / Electro Galvanizing / Powder Coating

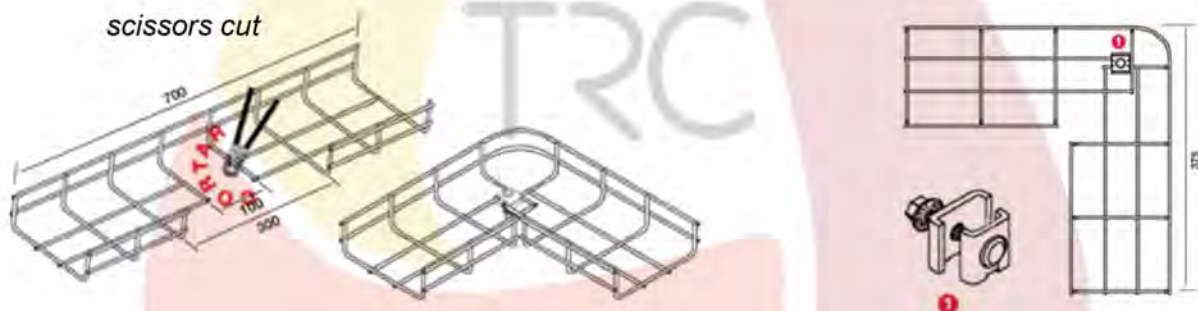
**Other dimension are available upon special request

*Other materials: Stainless steel (SS304, SS316, SS316L)

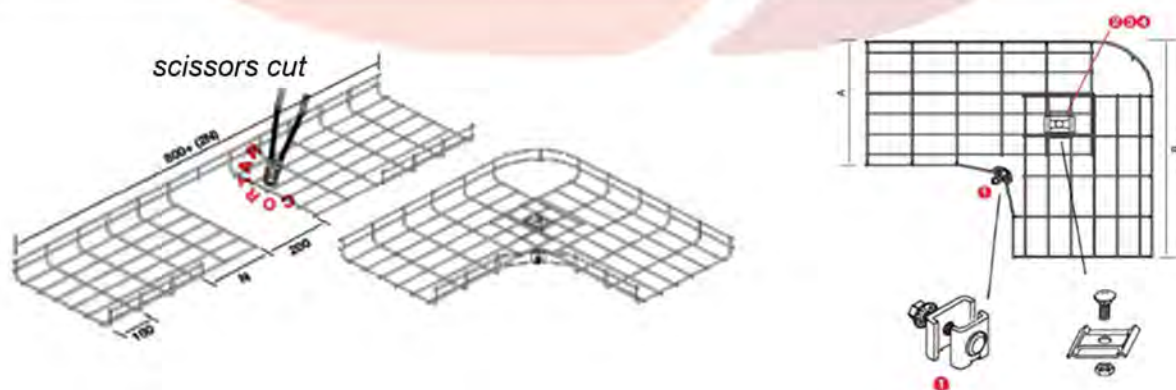


A	100	159	200	300	400	500	600
B	300	400	400	500	600	700	800
N	100	200	200	300	400	500	600

Installation for 100-150 mm width trays



Installation for 200-600 mm width trays



A	200	300	400	500	600
B	525	625	725	825	925
N	100	200	300	400	500

1. Reinforced connector / Joiner - U 20, U 30, Bolt, and Nut
2. Central hanging x2 U 40
3. M 6x20 screw
4. M 6 nut



CABLE CAGE INSTALLATION

Unit: Diameter: Standard Length: Material:
mm 5 - 6 mm 3000 mm Drawn Wire Steel

Finishing: Hot Dip Galvanizing / Electro Galvanizing / Powder Coating

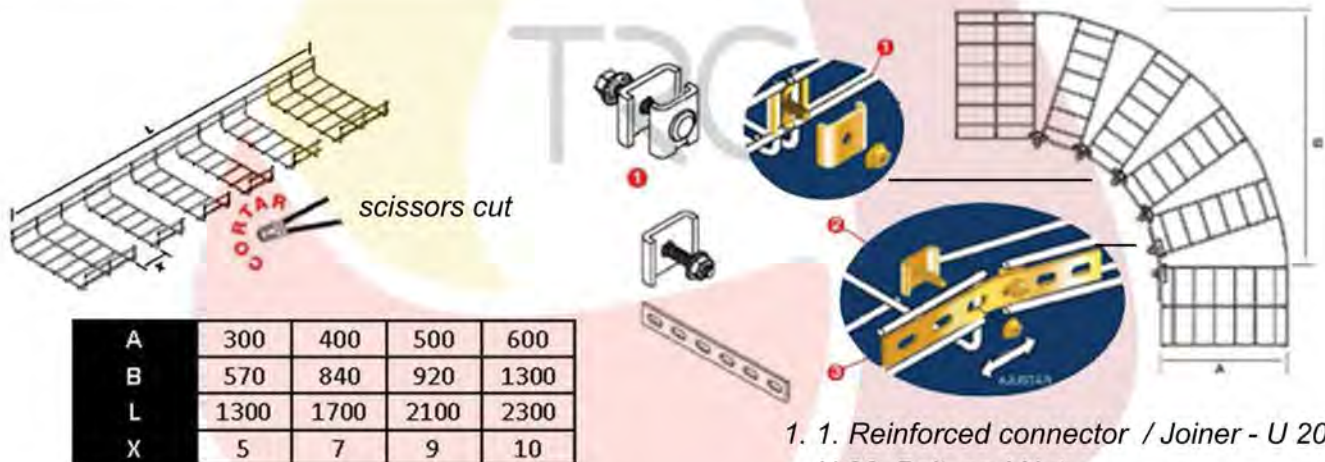
**Other dimension are available upon special request

*Other materials: Stainless steel (SS304, SS316, SS316L)

Level Change for 300-600 mm width trays

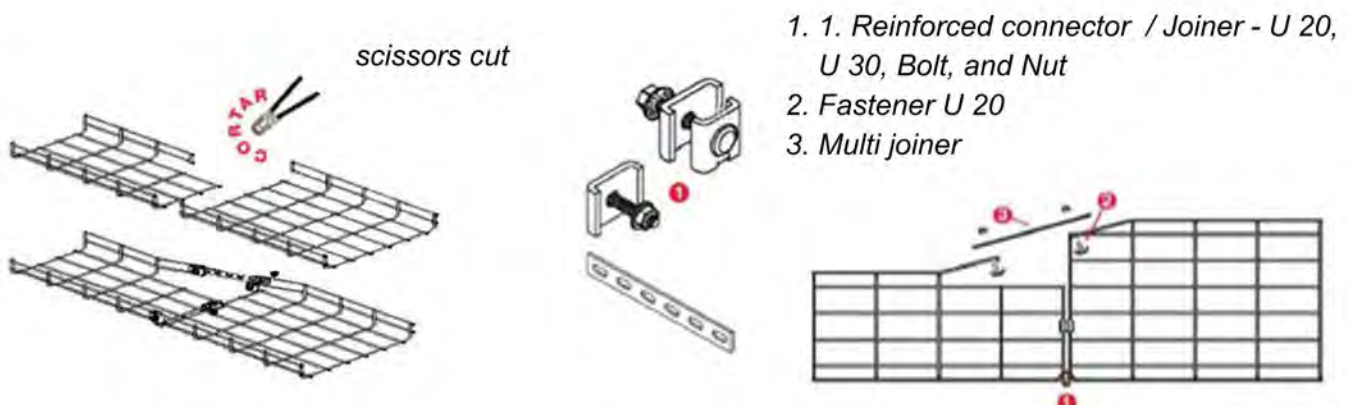


Installation for 300-600 mm width trays



1. Reinforced connector / Joiner - U 20, U 30, Bolt, and Nut
2. Fastener U 20
3. Multi joiner

Size Reducer



CABLE CAGE INSTALLATION

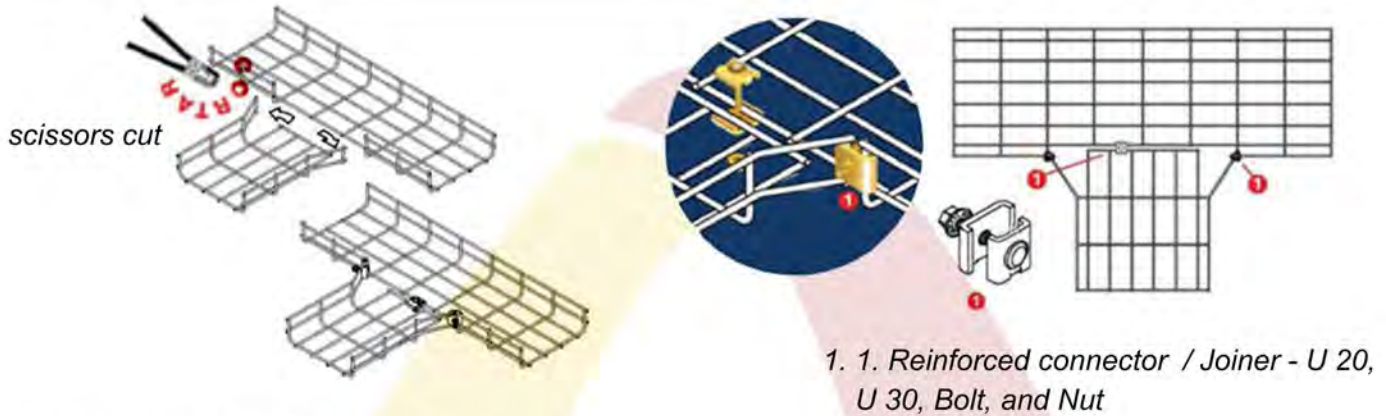
Unit: Diameter: Standard Length: Material:
mm 5 - 6 mm 3000 mm Drawn Wire Steel

Finishing: Hot Dip Galvanized / Electro Galvanized / Powder Coating

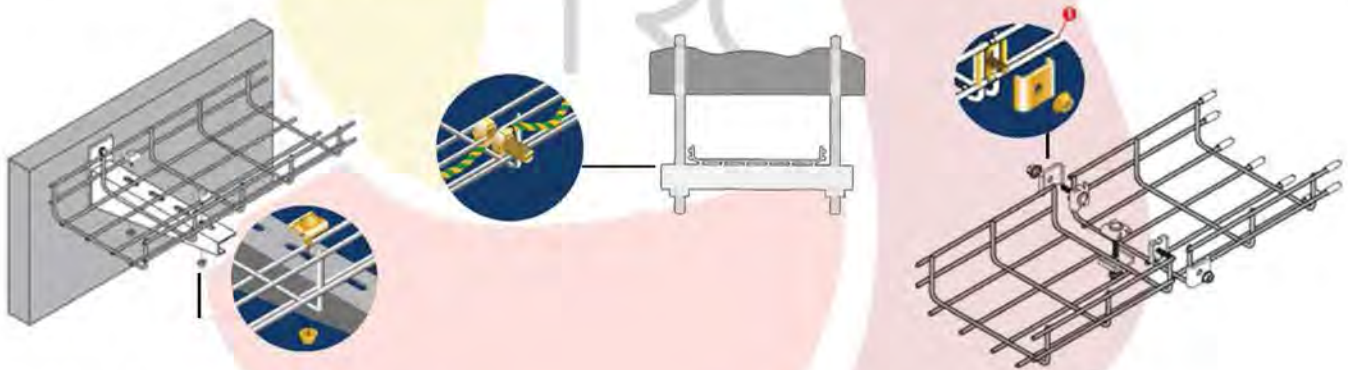
**Other dimension are available upon special request

*Other materials: Stainless steel (SS304, SS316, SS316L)

T-Joints



Assembly Examples



How to Cut

Scissors cut only

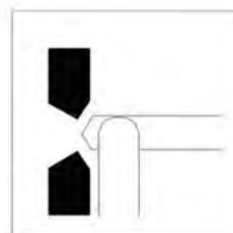


Position cut
Front

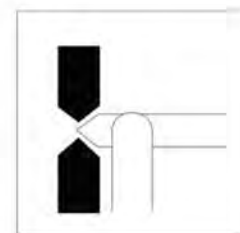


Position cut
Side

Cut the measurement connection



Correct



Wrong



TRAY COVER

Unit: Thickness: Material:
mm 1,2 - 2mm Hot Rolled Mild Steel Sheet (SPHC)*

Finishing: Hot Dip Galvanizing / Electro Galvanizing / Powder Coating

**Other dimension are available upon special request

*Other materials: Stainless steel (SS304, SS316, SS316L) and Aluminum (AA1100, AA5052)

Straight Cover



Elbow Cover



Reducer Cover



Outside Riser Cover



Inside Riser Cover



Tee Cover



Cross Cover





PT TRICON Metalindo Perkasa

Office :

Mangga Dua Square Lt. 2 Blok C No. 179

Jl. Gunung Sahari Raya No. 1 Jakarta Utara 14420

Phone: (021) 2262 0528 Fax: (021) 2262 0529

Email : sales@tricon-metalindo.com

Workshop :

Kawasan Pergudangan dan Perdagangan

SN 5.2 No. 5

Harapan Indah Bekasi

www.trayladder.com

www.tricon-metalindo.com



PT TRICON Metalindo Perkasa